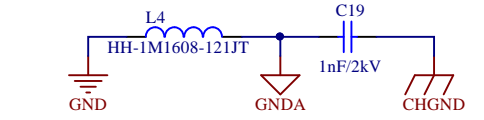
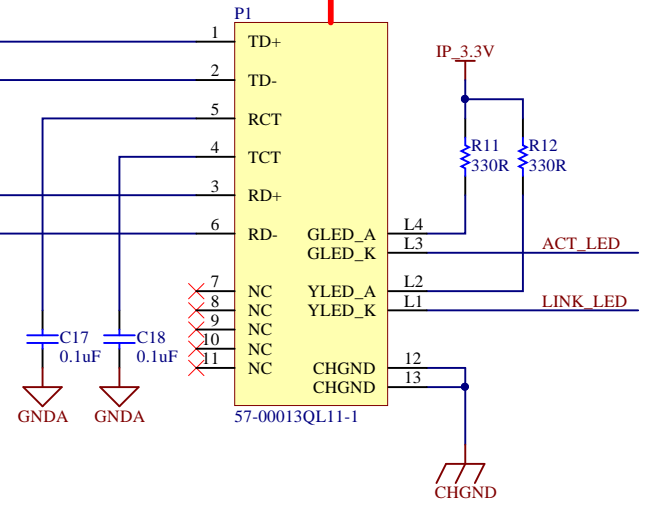
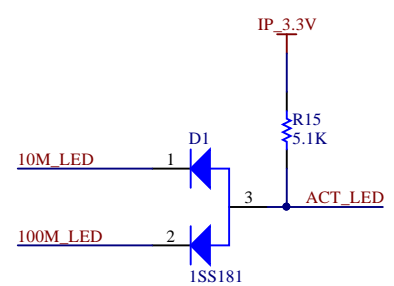
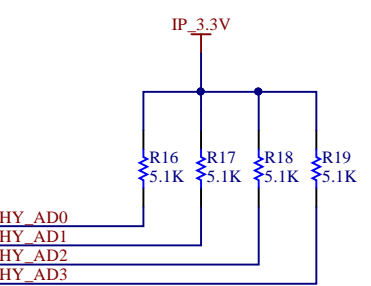
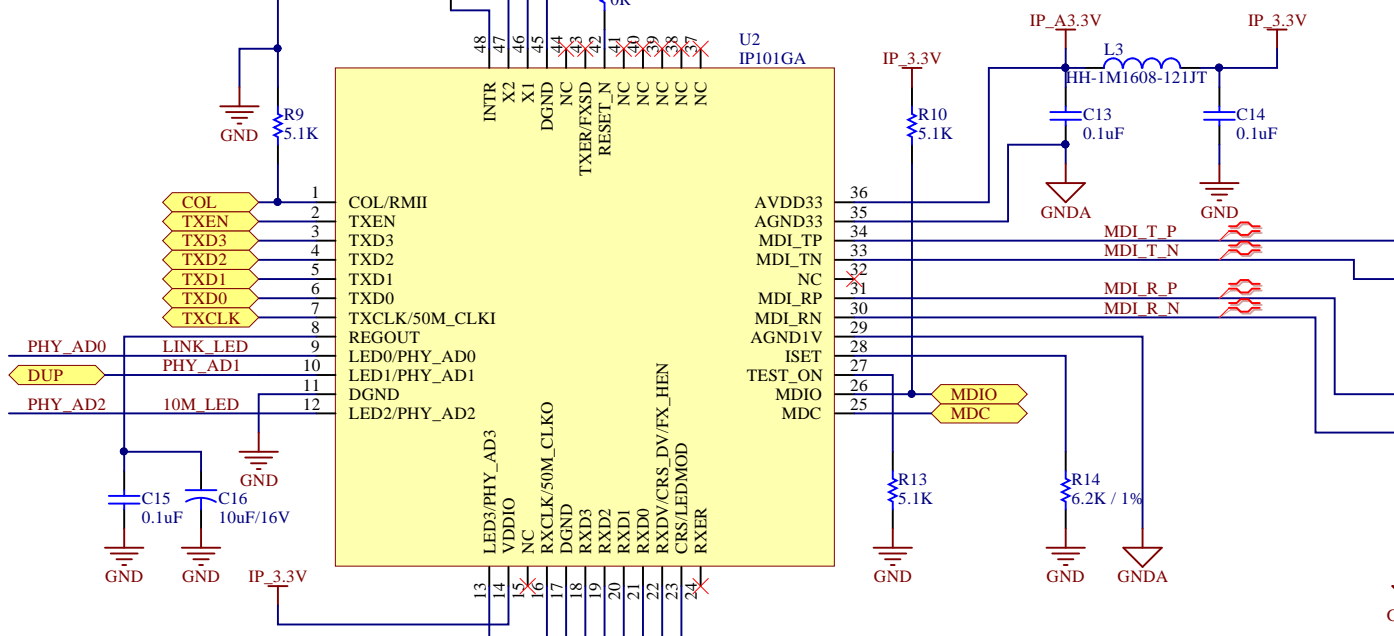
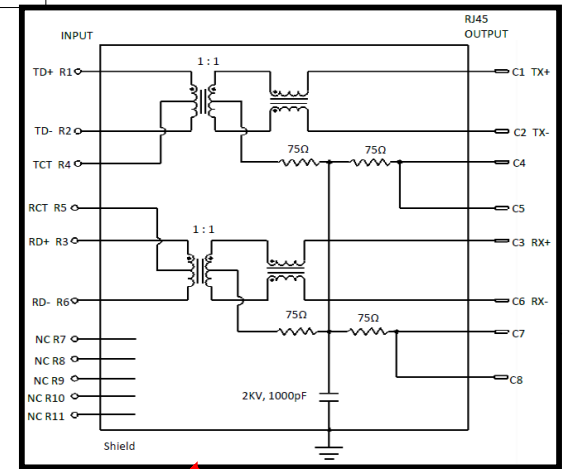
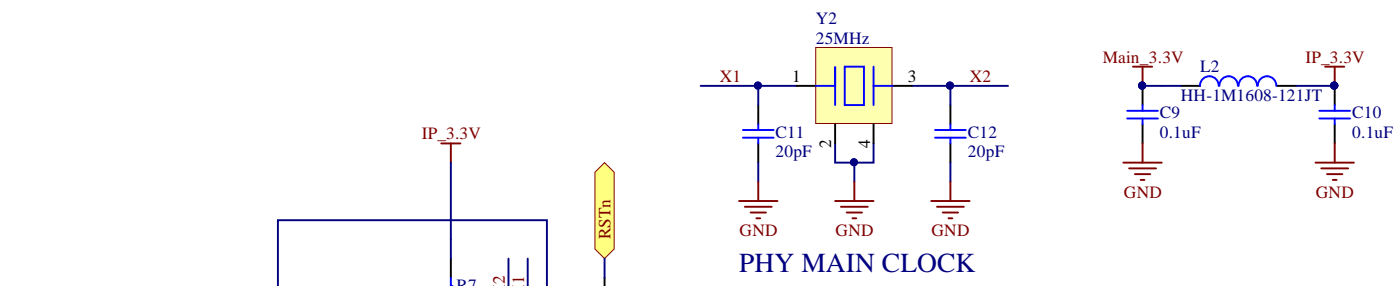
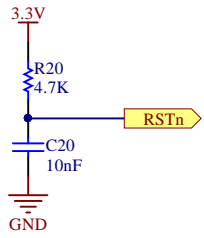


Title		
<b>W7500 Reference Schematic</b>		
Size	Number	Revision
A4	<b>W7500</b>	<b>V1.0</b>
Date:	2015-12-09	Sheet of
File:	C:\Users\...\01.W7500.SchDoc	Drawn By:

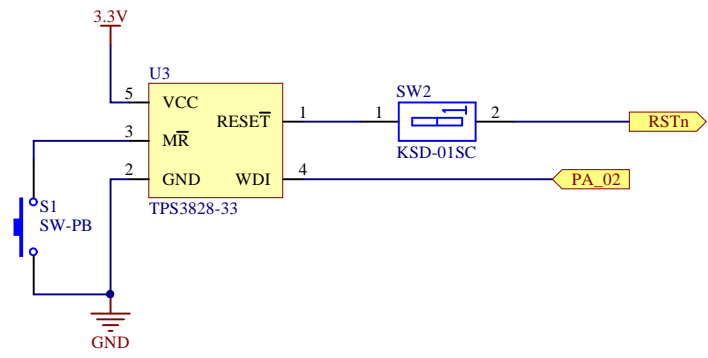


Title		
<b>W7500 Reference Schematic</b>		
Size	Number	Revision
A4	<b>IP101GA</b>	<b>V1.0</b>
Date:	2015-12-09	Sheet of
File:	C:\Users\...\02.IP101GA.SchDoc	Drawn By:

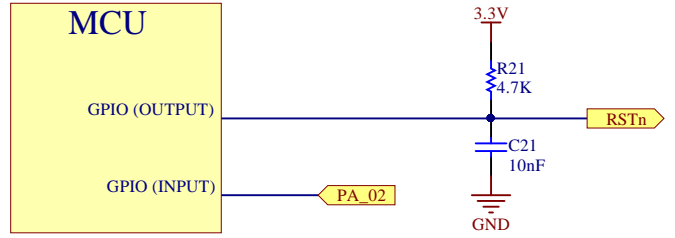
### Case 1 : Default



### Case 2 : Using supervisor IC



### Case 3 : Using other MCU



Title		
<b>W7500 Reference Schematic</b>		
Size	Number	Revision
A4	<b>RESET</b>	<b>V1.0</b>
Date:	2015-12-09	Sheet of
File:	C:\Users\...\03.RESET.SchDoc	Drawn By: